


# DIN 917

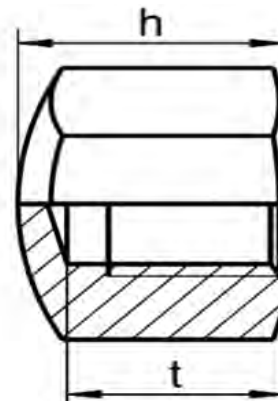
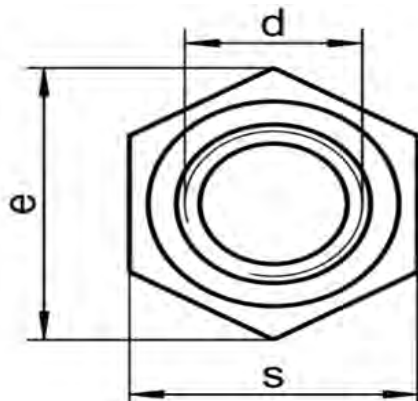
Dado esagonale cieco, tipo basso

Hexagon cap nut, low type

Disponibile  
Available

A2 

A4 



Thread size, d	Series 1	M4	M5	M6	M8	M10	M12	(M14)	M16	(M18)	M20
	Series 2	-	-	-	M8x1	M10x1	M12x1,5	(M14x1,5)	M16x1,5	(M18x1,5)	M20x2
	Series 3	-	-	-	-	M10x1,25	M12x1,25	-	-	(M18x2)	M20x1,5
$P^a$		0,7	0,8	1	1,25	1,5	1,75	2	2	2,5	2,5
$e$	min.	7,66	8,79	11,05	14,38	17,77	20,03	23,35	26,75	29,56	32,95
$h$	nominal size = max.	5,5	7	9	12	14	16	18	20	22	25
	min.	5,20	6,64	8,64	11,57	13,57	15,57	17,57	19,48	21,48	24,48
$s^*$	nominal size = max.	7	8	10	13	16/17	18/19	21/22	24	27	30
	min.	6,78	7,78	9,78	12,73	15,73/16,73	17,73/18,68	20,67/21,67	23,67	26,16	29,16
$t$	max.	4,64	5,44	7,29	9,79	11,35	13,85	15,35	17,35	19,42	21,42
	min.	4,16	4,96	6,71	9,21	10,65	13,15	14,65	16,65	18,58	20,58

Thread size, d	Series 1	(M22)	M24	(M27)	M30	M36	M42	M48	(M56)	(M64)	(M72x6)
	Series 2	(M22x1,5)	M24x2	(M27x2)	M30x2	M36x3	M42x3	M48x3	(M56x4)	(M64x4)	(M72x4)
	Series 3	(M22x2)	-	-	-	-	-	-	-	-	-
$P^a$		2,5	3	3	3,5	4	4,5	5	5,5	6	-
$e$	min.	37,29	39,55	45,2	50,85	60,79	72,02	82,60	93,56	104,86	116,16
$h$	nominal size = max.	28	30	32	34	44	52	58	68	75	85
	min.	27,48	29,48	31,38	33,38	43,38	51,26	57,26	67,26	74,26	84,13
$s^*$	nominal size = max.	32/34	36	41	46	55	65	75	85	95	105
	min.	31/33	35,00	40,00	45,00	53,80	63,10	73,10	82,80	92,80	102,80
$t$	max.	22,42	24,42	26,42	28,42	36,50	42,50	48,50	56,60	62,60	67,60
	min.	21,58	23,58	25,58	27,58	35,50	41,50	47,50	55,40	61,40	66,40

Se possibile, evitare le misure tra parentesi  
Bracketed sizes should be avoided if possible

\*S= M10-M12-M14-M22 chiave non aggiornata all'ultima versione della norma DIN917 del 2015

\* S = M10-M12-M14-M22 key not updated to the latest version of the DIN917 standard of 2015



last edit 14/09/2020  
DRAWING N. 1154