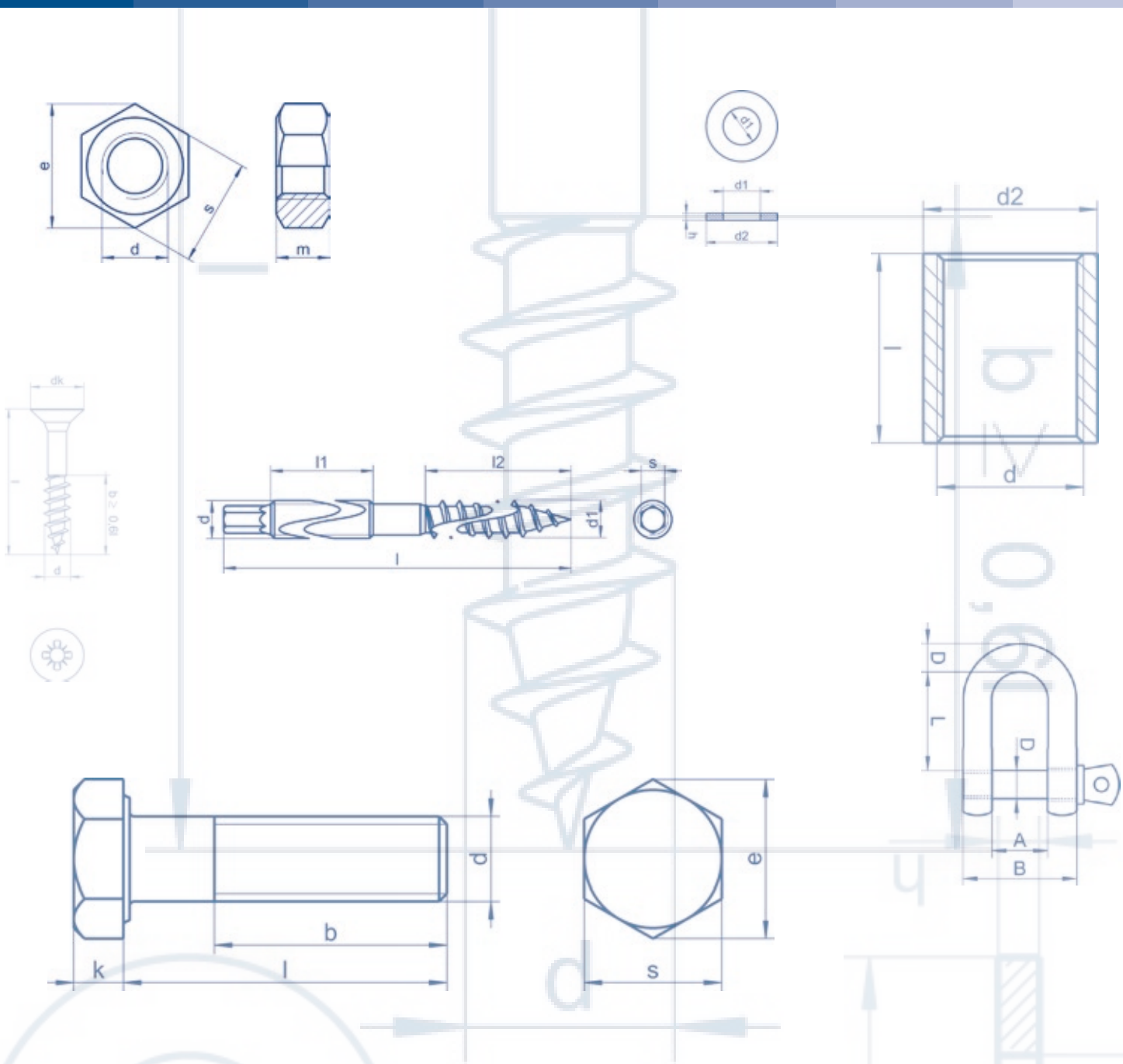


SPINELLI INOX



Un Partner Affidabile e Inossidabile

SPINELLI  **INOX**

**L'eccellenza dei migliori
sistemi di fissaggio in acciaio
inossidabile da oltre 20 anni.**



INOXPOINT

MARCHIO LEADER DEI PRODOTTI
IN ACCIAIO INOX

Estetica. Qualità. Eleganza

Molti dei prodotti Spinelli Inox sono disponibili anche nell'elegante Blister Line. Una soluzione espositiva perfetta, per un allestimento professionale capace di valorizzare il prodotto. INOXPOINT: la nostra qualità in un Blister.

INOXPOINT

BULLONERIA

P. 34

PITONERIA (GANCI, OCCHIOLI E RAMPINI)

P. 44

ACCESSORI NAUTICI

P. 45



DIN 933 sim. UNI 5739 EN ISO 4017

Viti a testa esagonale interamente filettate

AISI 304 / A2



CODICE ARTICOLO	BOX	BLISTER	MISURA (mm)
B150	15 Blister	(1 blister = 20 pz)	4X10
B240	15 Blister	(1 blister = 20 pz)	4X16
B151	15 Blister	(1 blister = 20 pz)	4X20
B241	15 Blister	(1 blister = 15 pz)	4X25
B152	15 Blister	(1 blister = 15 pz)	4X30
B242	15 Blister	(1 blister = 10 pz)	4X40
B153	15 Blister	(1 blister = 20 pz)	5X16
B243	15 Blister	(1 blister = 15 pz)	5X20
B154	15 Blister	(1 blister = 15 pz)	5X25
B244	15 Blister	(1 blister = 12 pz)	5X30
B155	15 Blister	(1 blister = 10 pz)	5X40
B245	15 Blister	(1 blister = 6 pz)	5X50
B156	15 Blister	(1 blister = 15 pz)	6X16
B157	15 Blister	(1 blister = 10 pz)	6X20
B246	15 Blister	(1 blister = 10 pz)	6X25
B158	15 Blister	(1 blister = 10 pz)	6X30
B247	15 Blister	(1 blister = 10 pz)	6X35
B159	15 Blister	(1 blister = 10 pz)	6X40
B248	15 Blister	(1 blister = 6 pz)	6X50
B249	15 Blister	(1 blister = 4 pz)	6X60
B160	15 Blister	(1 blister = 8 pz)	8X20
B250	15 Blister	(1 blister = 6 pz)	8X25
B161	15 Blister	(1 blister = 6 pz)	8X30
B251	15 Blister	(1 blister = 5 pz)	8X35
B162	15 Blister	(1 blister = 5 pz)	8X40
B163	15 Blister	(1 blister = 4 pz)	8X50
B252	15 Blister	(1 blister = 4 pz)	8X60
B164	15 Blister	(1 blister = 4 pz)	10X30
B165	15 Blister	(1 blister = 2 pz)	10X40
B166	15 Blister	(1 blister = 2 pz)	10X50
B167	15 Blister	(1 blister = 2 pz)	10X60
B253	15 Blister	(1 blister = 2 pz)	10X80

DIN 912 sim. UNI 5931 EN ISO 4762

Viti a testa cilindrica con cava esagonale

AISI 304 / A2



CODICE ARTICOLO	BOX	BLISTER	MISURA (mm)
B792	15 Blister	(1 blister = 14 pz)	4X10
B793	15 Blister	(1 blister = 16 pz)	4X16
B794	15 Blister	(1 blister = 15 pz)	4X20
B795	15 Blister	(1 blister = 12 pz)	4X25
B796	15 Blister	(1 blister = 10 pz)	4X30
B797	15 Blister	(1 blister = 8 pz)	4X40
B798	15 Blister	(1 blister = 14 pz)	5X12
B799	15 Blister	(1 blister = 14 pz)	5X16
B800	15 Blister	(1 blister = 12 pz)	5X20
B801	15 Blister	(1 blister = 12 pz)	5X25
B802	15 Blister	(1 blister = 10 pz)	5X30
B803	15 Blister	(1 blister = 8 pz)	5X40
B804	15 Blister	(1 blister = 5 pz)	5X50
B805	15 Blister	(1 blister = 12 pz)	6X16
B806	15 Blister	(1 blister = 10 pz)	6X20
B807	15 Blister	(1 blister = 10 pz)	6X25
B808	15 Blister	(1 blister = 8 pz)	6X30
B809	15 Blister	(1 blister = 6 pz)	6X40
B810	15 Blister	(1 blister = 5 pz)	6X50
B811	15 Blister	(1 blister = 4 pz)	6X60
B812	15 Blister	(1 blister = 6 pz)	8X20
B813	15 Blister	(1 blister = 6 pz)	8X25
B814	15 Blister	(1 blister = 5 pz)	8X30
B815	15 Blister	(1 blister = 4 pz)	8X40
B816	15 Blister	(1 blister = 3 pz)	8X50
B817	15 Blister	(1 blister = 2 pz)	8X60
B818	15 Blister	(1 blister = 2 pz)	8X80
B819	15 Blister	(1 blister = 3 pz)	10X25
B820	15 Blister	(1 blister = 3 pz)	10X30
B821	15 Blister	(1 blister = 3 pz)	10X40
B822	15 Blister	(1 blister = 2 pz)	10X50
B823	15 Blister	(1 blister = 2 pz)	10X60
B824	15 Blister	(1 blister = 2 pz)	10X80

ISO 10642 SIM. EX UNI 5933 DIN 7991

Viti a testa svasata piana con cava esagonale

AISI 304 / A2



CODICE ARTICOLO	BOX	BLISTER	MISURA (mm)
B825	15 Blister	(1 blister = 14 pz)	3X10
B826	15 Blister	(1 blister = 16 pz)	3X16
B827	15 Blister	(1 blister = 15 pz)	3X20
B828	15 Blister	(1 blister = 14 pz)	4X10
B829	15 Blister	(1 blister = 16 pz)	4X16
B830	15 Blister	(1 blister = 15 pz)	4X20
B831	15 Blister	(1 blister = 12 pz)	4X25
B832	15 Blister	(1 blister = 14 pz)	5X16
B833	15 Blister	(1 blister = 12 pz)	5X20
B834	15 Blister	(1 blister = 12 pz)	5X25
B835	15 Blister	(1 blister = 10 pz)	5X30
B836	15 Blister	(1 blister = 10 pz)	6X20
B837	15 Blister	(1 blister = 10 pz)	6X25
B838	15 Blister	(1 blister = 8 pz)	6X30
B839	15 Blister	(1 blister = 6 pz)	6X35
B840	15 Blister	(1 blister = 6 pz)	6X40
B841	15 Blister	(1 blister = 6 pz)	8X25
B842	15 Blister	(1 blister = 5 pz)	8X30
B843	15 Blister	(1 blister = 4 pz)	8X35
B844	15 Blister	(1 blister = 4 pz)	8X40
B845	15 Blister	(1 blister = 3 pz)	8X50

ART. 603 SIM. DIN 603 EN ISO 8677

Viti a testa tonda larga con quadro sottotesta senza dado, interamente filettate

AISI 304 / A2



CODICE ARTICOLO	BOX	BLISTER	MISURA (mm)
B715	15 Blister	(1 blister = 6 pz)	5X20
B716	15 Blister	(1 blister = 6 pz)	5X25
B717	15 Blister	(1 blister = 5 pz)	5X30
B718	15 Blister	(1 blister = 4 pz)	5X40
B719	15 Blister	(1 blister = 4 pz)	5X50
B720	15 Blister	(1 blister = 4 pz)	6X25
B721	15 Blister	(1 blister = 4 pz)	6X30
B722	15 Blister	(1 blister = 3 pz)	6X40
B723	15 Blister	(1 blister = 2 pz)	6X50
B724	15 Blister	(1 blister = 2 pz)	6X60
B725	15 Blister	(1 blister = 2 pz)	8X30
B726	15 Blister	(1 blister = 2 pz)	8X40
B727	15 Blister	(1 blister = 2 pz)	8X50
B728	15 Blister	(1 blister = 2 pz)	8X60
B729	15 Blister	(1 blister = 2 pz)	8X70
B730	15 Blister	(1 blister = 2 pz)	8X80

DIN 84 SIM. UNI 6107 EN ISO 1207

Viti a testa cilindrica bassa con intaglio

AISI 304 / A2



CODICE ARTICOLO	BOX	BLISTER	MISURA (mm)
B254	15 Blister	(1 blister = 20 pz)	3X12
B168	15 Blister	(1 blister = 20 pz)	3X16
B255	15 Blister	(1 blister = 20 pz)	3X20
B169	15 Blister	(1 blister = 20 pz)	3X25
B256	15 Blister	(1 blister = 20 pz)	3X30
B257	15 Blister	(1 blister = 20 pz)	4X16
B170	15 Blister	(1 blister = 15 pz)	4X20
B258	15 Blister	(1 blister = 15 pz)	4X25
B171	15 Blister	(1 blister = 15 pz)	4X30
B259	15 Blister	(1 blister = 10 pz)	4X40
B172	15 Blister	(1 blister = 10 pz)	5X16
B260	15 Blister	(1 blister = 10 pz)	5X20
B173	15 Blister	(1 blister = 10 pz)	5X25
B261	15 Blister	(1 blister = 8 pz)	5X30
B174	15 Blister	(1 blister = 8 pz)	5X40
B262	15 Blister	(1 blister = 5 pz)	5X50
B175	15 Blister	(1 blister = 4 pz)	5X60
B176	15 Blister	(1 blister = 8 pz)	6X20
B263	15 Blister	(1 blister = 8 pz)	6X25
B177	15 Blister	(1 blister = 8 pz)	6X30
B264	15 Blister	(1 blister = 7 pz)	6X35
B265	15 Blister	(1 blister = 6 pz)	6X40
B178	15 Blister	(1 blister = 4 pz)	6X50
B266	15 Blister	(1 blister = 3 pz)	6X60
B179	15 Blister	(1 blister = 2 pz)	6X70

DIN 964 SIM. UNI 6110 ISO 2010

Viti a testa svasata con calotta e intaglio

AISI 304 / A2



CODICE ARTICOLO	BOX	BLISTER	MISURA (mm)
B180	15 Blister	(1 blister = 20 pz)	3X16
B267	15 Blister	(1 blister = 20 pz)	3X20
B268	15 Blister	(1 blister = 20 pz)	3X25
B181	15 Blister	(1 blister = 20 pz)	3X30
B269	15 Blister	(1 blister = 10 pz)	3X40
B182	15 Blister	(1 blister = 15 pz)	4X20
B270	15 Blister	(1 blister = 15 pz)	4X25
B271	15 Blister	(1 blister = 12 pz)	4X30
B183	15 Blister	(1 blister = 15 pz)	4X40
B272	15 Blister	(1 blister = 6 pz)	4X50
B184	15 Blister	(1 blister = 15 pz)	5X16
B273	15 Blister	(1 blister = 12 pz)	5X20
B185	15 Blister	(1 blister = 10 pz)	5X25
B274	15 Blister	(1 blister = 10 pz)	5X30
B186	15 Blister	(1 blister = 8 pz)	5X40
B275	15 Blister	(1 blister = 5 pz)	5X50
B187	15 Blister	(1 blister = 4 pz)	5X60
B188	15 Blister	(1 blister = 8 pz)	6X25
B276	15 Blister	(1 blister = 8 pz)	6X30
B277	15 Blister	(1 blister = 7 pz)	6X35
B189	15 Blister	(1 blister = 8 pz)	6X40
B278	15 Blister	(1 blister = 4 pz)	6X50
B190	15 Blister	(1 blister = 2 pz)	6X60
B191	15 Blister	(1 blister = 2 pz)	6X80

DIN 7985 SIM. UNI 7687 ISO 7045

Viti a testa cilindrica bombata con impronta croce H (Phillips)

AISI 304 / A2



CODICE ARTICOLO	BOX	BLISTER	MISURA (mm)
B857	15 Blister	(1 blister = 25 pz)	3X10
B858	15 Blister	(1 blister = 20 pz)	3X16
B859	15 Blister	(1 blister = 20 pz)	3X20
B860	15 Blister	(1 blister = 20 pz)	3X25
B861	15 Blister	(1 blister = 20 pz)	4X12
B862	15 Blister	(1 blister = 20 pz)	4X16
B863	15 Blister	(1 blister = 16 pz)	4X20
B864	15 Blister	(1 blister = 15 pz)	4X25
B865	15 Blister	(1 blister = 15 pz)	4X30
B866	15 Blister	(1 blister = 10 pz)	4X40
B867	15 Blister	(1 blister = 12 pz)	5X16
B868	15 Blister	(1 blister = 12 pz)	5X20
B869	15 Blister	(1 blister = 10 pz)	5X25
B870	15 Blister	(1 blister = 8 pz)	5X30
B871	15 Blister	(1 blister = 6 pz)	5X40
B872	15 Blister	(1 blister = 4 pz)	5X50
B873	15 Blister	(1 blister = 8 pz)	6X20
B874	15 Blister	(1 blister = 8 pz)	6X25
B875	15 Blister	(1 blister = 8 pz)	6X30
B876	15 Blister	(1 blister = 7 pz)	6X35
B877	15 Blister	(1 blister = 6 pz)	6X40
B878	15 Blister	(1 blister = 4 pz)	6X50
B879	15 Blister	(1 blister = 3 pz)	6X60

DIN 965 SIM. UNI 7688 EN ISO 7046

Viti a testa svasata piana con impronta a croce H (Phillips)

AISI 304 / A2



CODICE ARTICOLO	BOX	BLISTER	MISURA (mm)
B880	15 Blister	(1 blister = 25 pz)	3X12
B881	15 Blister	(1 blister = 20 pz)	3X16
B882	15 Blister	(1 blister = 20 pz)	3X20
B883	15 Blister	(1 blister = 20 pz)	3X25
B884	15 Blister	(1 blister = 20 pz)	4X16
B885	15 Blister	(1 blister = 16 pz)	4X20
B886	15 Blister	(1 blister = 15 pz)	4X25
B887	15 Blister	(1 blister = 15 pz)	4X30
B888	15 Blister	(1 blister = 10 pz)	4X35
B889	15 Blister	(1 blister = 10 pz)	4X40
B890	15 Blister	(1 blister = 12 pz)	5X20
B891	15 Blister	(1 blister = 10 pz)	5X25
B892	15 Blister	(1 blister = 8 pz)	5X30
B893	15 Blister	(1 blister = 6 pz)	5X40
B894	15 Blister	(1 blister = 4 pz)	5X50
B895	15 Blister	(1 blister = 4 pz)	5X60
B896	15 Blister	(1 blister = 8 pz)	6X25
B897	15 Blister	(1 blister = 8 pz)	6X30
B898	15 Blister	(1 blister = 6 pz)	6X40
B899	15 Blister	(1 blister = 4 pz)	6X50
B900	15 Blister	(1 blister = 3 pz)	6X60
B901	15 Blister	(1 blister = 2 pz)	6X70



DIN 7981 SIM. UNI 6954 EN ISO 7049

Viti autofilettanti a testa cilindrica bombata con impronta croce H (Phillips), tipo C (con punta conica)

AISI 304 / A2

CODICE ARTICOLO	BOX	BLISTER	MISURA (mm)
B192	15 Blister	(1 blister = 20 pz)	2,9X9,5
B193	15 Blister	(1 blister = 20 pz)	2,9X13
B284	15 Blister	(1 blister = 20 pz)	2,9X16
B194	15 Blister	(1 blister = 20 pz)	2,9X19
B285	15 Blister	(1 blister = 20 pz)	2,9X25
B195	15 Blister	(1 blister = 20 pz)	3,5X9,5
B286	15 Blister	(1 blister = 20 pz)	3,5X13
B196	15 Blister	(1 blister = 20 pz)	3,5X16
B197	15 Blister	(1 blister = 20 pz)	3,5X22
B287	15 Blister	(1 blister = 20 pz)	3,5X25
B288	15 Blister	(1 blister = 16 pz)	3,5X32
B198	15 Blister	(1 blister = 20 pz)	3,9X16
B289	15 Blister	(1 blister = 20 pz)	3,9X19
B199	15 Blister	(1 blister = 20 pz)	3,9X22
B290	15 Blister	(1 blister = 14 pz)	3,9X25
B200	15 Blister	(1 blister = 15 pz)	3,9X32
B291	15 Blister	(1 blister = 20 pz)	3,9X38
B201	15 Blister	(1 blister = 20 pz)	4,2X13
B292	15 Blister	(1 blister = 20 pz)	4,2X16
B293	15 Blister	(1 blister = 15 pz)	4,2X19
B202	15 Blister	(1 blister = 20 pz)	4,2X25
B294	15 Blister	(1 blister = 15 pz)	4,2X32
B203	15 Blister	(1 blister = 10 pz)	4,2X38
B204	15 Blister	(1 blister = 8 pz)	4,2X50
B205	15 Blister	(1 blister = 15 pz)	4,8X16
B206	15 Blister	(1 blister = 15 pz)	4,8X22
B295	15 Blister	(1 blister = 15 pz)	4,8X25
B207	15 Blister	(1 blister = 10 pz)	4,8X38
B296	15 Blister	(1 blister = 8 pz)	4,8X45
B297	15 Blister	(1 blister = 8 pz)	4,8X50
B298	15 Blister	(1 blister = 10 pz)	5,5X19
B208	15 Blister	(1 blister = 8 pz)	5,5X25
B299	15 Blister	(1 blister = 8 pz)	5,5X32
B300	15 Blister	(1 blister = 6 pz)	5,5X38
B209	15 Blister	(1 blister = 4 pz)	5,5X50
B301	15 Blister	(1 blister = 8 pz)	6,3X19
B302	15 Blister	(1 blister = 8 pz)	6,3X25
B303	15 Blister	(1 blister = 6 pz)	6,3X32
B304	15 Blister	(1 blister = 6 pz)	6,3X38
B305	15 Blister	(1 blister = 4 pz)	6,3X50

DIN 914 SIM. UNI 5927 EN ISO 4027

Grani con cava esagonale ed estremità con punta conica

AISI 304 / A2



CODICE ARTICOLO	BOX	BLISTER	MISURA (mm)
B902	15 Blister	(1 blister = 18 pz)	3X4
B903	15 Blister	(1 blister = 18 pz)	3X6
B904	15 Blister	(1 blister = 18 pz)	4X6
B905	15 Blister	(1 blister = 16 pz)	4X8
B906	15 Blister	(1 blister = 14 pz)	5X6
B907	15 Blister	(1 blister = 12 pz)	5X10
B908	15 Blister	(1 blister = 12 pz)	6X8
B909	15 Blister	(1 blister = 10 pz)	6X12
B910	15 Blister	(1 blister = 10 pz)	8X10
B911	15 Blister	(1 blister = 7 pz)	8X16

DIN 7983 SIM. UNI 6956 EN ISO 7051

Viti autoflettanti a testa svasata con calotta e impronta croce H (Phillips), tipo C (con punta conica)

AISI 304 / A2



CODICE ARTICOLO	BOX	BLISTER	MISURA (mm)
B210	15 Blister	(1 blister = 20 pz)	2,9X13
B306	15 Blister	(1 blister = 20 pz)	2,9X16
B211	15 Blister	(1 blister = 20 pz)	2,9X19
B307	15 Blister	(1 blister = 20 pz)	2,9X25
B212	15 Blister	(1 blister = 20 pz)	3,5X13
B213	15 Blister	(1 blister = 20 pz)	3,5X19
B214	15 Blister	(1 blister = 20 pz)	3,5X25
B308	15 Blister	(1 blister = 16 pz)	3,5X32
B215	15 Blister	(1 blister = 20 pz)	3,9X13
B216	15 Blister	(1 blister = 20 pz)	3,9X19
B217	15 Blister	(1 blister = 20 pz)	3,9X25
B218	15 Blister	(1 blister = 15 pz)	3,9X32
B309	15 Blister	(1 blister = 14 pz)	3,9X38
B219	15 Blister	(1 blister = 20 pz)	4,2X16
B310	15 Blister	(1 blister = 20 pz)	4,2X19
B220	15 Blister	(1 blister = 20 pz)	4,2X25
B311	15 Blister	(1 blister = 14 pz)	4,2X32
B221	15 Blister	(1 blister = 10 pz)	4,2X38
B222	15 Blister	(1 blister = 8 pz)	4,2X50
B312	15 Blister	(1 blister = 15 pz)	4,8X19
B223	15 Blister	(1 blister = 15 pz)	4,8X25
B313	15 Blister	(1 blister = 12 pz)	4,8X32
B224	15 Blister	(1 blister = 10 pz)	4,8X38
B225	15 Blister	(1 blister = 8 pz)	4,8X50
B314	15 Blister	(1 blister = 8 pz)	5,5X25
B226	15 Blister	(1 blister = 8 pz)	5,5X32
B315	15 Blister	(1 blister = 6 pz)	5,5X38
B316	15 Blister	(1 blister = 5 pz)	5,5X45
B227	15 Blister	(1 blister = 4 pz)	5,5X50
B317	15 Blister	(1 blister = 8 pz)	6,3X22
B318	15 Blister	(1 blister = 6 pz)	6,3X32
B319	15 Blister	(1 blister = 6 pz)	6,3X38
B320	15 Blister	(1 blister = 4 pz)	6,3X50

DIN 7337 A sim. UNI 9200 A EN ISO 15983

Rivetti a strappo ad estremità aperta con mandrino a punto di rottura prestabilito e testa bombata

AISI 304 / A2



CODICE ARTICOLO	BOX	BLISTER	MISURA (mm)
B59	15 Blister	(1 blister = 20 pz)	3,2X6
B60	15 Blister	(1 blister = 18 pz)	3,2X10
B61	15 Blister	(1 blister = 15 pz)	3,2X12
B62	15 Blister	(1 blister = 12 pz)	4X10
B63	15 Blister	(1 blister = 10 pz)	4X12
B64	15 Blister	(1 blister = 8 pz)	4X16
B65	15 Blister	(1 blister = 8 pz)	5X10
B66	15 Blister	(1 blister = 8 pz)	5X14
B67	15 Blister	(1 blister = 6 pz)	5X20

DIN 571 SIM. UNI 704

Viti per legno a testa esagonale (tirafondi)

AISI 304 / A2



CODICE ARTICOLO	BOX	BLISTER	MISURA (mm)
B700	15 Blister	(1 blister = 4 pz)	5X30
B701	15 Blister	(1 blister = 3 pz)	5X40
B702	15 Blister	(1 blister = 3 pz)	5X50
B703	15 Blister	(1 blister = 2 pz)	5X60
B704	15 Blister	(1 blister = 4 pz)	5X70
B705	15 Blister	(1 blister = 3 pz)	5X80
B706	15 Blister	(1 blister = 3 pz)	6X40
B707	15 Blister	(1 blister = 2 pz)	6X50
B708	15 Blister	(1 blister = 2 pz)	6X60
B709	15 Blister	(1 blister = 2 pz)	6X70
B710	15 Blister	(1 blister = 2 pz)	4X30
B711	15 Blister	(1 blister = 2 pz)	4X35
B712	15 Blister	(1 blister = 2 pz)	4X40
B713	15 Blister	(1 blister = 2 pz)	4X50
B714	15 Blister	(1 blister = 2 pz)	4X60

ART. 9100

Viti per legno a testa svasata piana con impronta croce Z (Poziidriv), interamente filettate

AISI 304 / A2



CODICE ARTICOLO	BOX	BLISTER	MISURA (mm)
B68	15 Blister	(1 blister = 30 pz)	3X16
B846	15 Blister	(1 blister = 25 pz)	3X20
B69	15 Blister	(1 blister = 25 pz)	3X25
B847	15 Blister	(1 blister = 20 pz)	3X30
B848	15 Blister	(1 blister = 20 pz)	3,5X16
B70	15 Blister	(1 blister = 25 pz)	3,5X20
B849	15 Blister	(1 blister = 20 pz)	3,5X25
B71	15 Blister	(1 blister = 20 pz)	3,5X30
B72	15 Blister	(1 blister = 20 pz)	4X20
B850	15 Blister	(1 blister = 16 pz)	4X25
B73	15 Blister	(1 blister = 15 pz)	4X30
B851	15 Blister	(1 blister = 15 pz)	4X35
B74	15 Blister	(1 blister = 15 pz)	4X40
B75	15 Blister	(1 blister = 12 pz)	4X50
B852	15 Blister	(1 blister = 8 pz)	4X60
B76	15 Blister	(1 blister = 12 pz)	4,5X30
B853	15 Blister	(1 blister = 10 pz)	4,5X35
B854	15 Blister	(1 blister = 10 pz)	4,5X40
B77	15 Blister	(1 blister = 10 pz)	4,5X50
B78	15 Blister	(1 blister = 12 pz)	5X30
B79	15 Blister	(1 blister = 12 pz)	5X40
B80	15 Blister	(1 blister = 12 pz)	5X50
B81	15 Blister	(1 blister = 10 pz)	5X60
B855	15 Blister	(1 blister = 8 pz)	5X70
B856	15 Blister	(1 blister = 6 pz)	5X80
B82	15 Blister	(1 blister = 8 pz)	6X40
B83	15 Blister	(1 blister = 6 pz)	6X50
B84	15 Blister	(1 blister = 6 pz)	6X60
B85	15 Blister	(1 blister = 4 pz)	6X70

ART. 315 SIM. UNI 5448 DIN 315 AF
Dadi ad alette (galletto)
tipo Americano

AISI 304 / A2



CODICE ARTICOLO	BOX	BLISTER	MISURA (mm)
B131	15 Blister	(1 blister = 7 pz)	M 3
B132	15 Blister	(1 blister = 6 pz)	M 4
B133	15 Blister	(1 blister = 5 pz)	M 5
B134	15 Blister	(1 blister = 5 pz)	M 6
B135	15 Blister	(1 blister = 3 pz)	M 8
B136	15 Blister	(1 blister = 3 pz)	M 10

DIN 934 SIM. UNI 5588 EN ISO 4032
Dadi esagonali

AISI 304 / A2



CODICE ARTICOLO	BOX	BLISTER	MISURA (mm)
B228	15 Blister	(1 blister = 30 pz)	M 3
B229	15 Blister	(1 blister = 25 pz)	M 4
B230	15 Blister	(1 blister = 20 pz)	M 5
B231	15 Blister	(1 blister = 15 pz)	M 6
B232	15 Blister	(1 blister = 12 pz)	M 8
B233	15 Blister	(1 blister = 8 pz)	M 10

DIN 985 SIM. UNI 7474 EN ISO 10511
Dadi esagonali bassi autofrenanti
con inserto non metallico

AISI 304 / A2



CODICE ARTICOLO	BOX	BLISTER	MISURA (mm)
B125	15 Blister	(1 blister = 25 pz)	M 3
B126	15 Blister	(1 blister = 20 pz)	M 4
B127	15 Blister	(1 blister = 15 pz)	M 5
B128	15 Blister	(1 blister = 12 pz)	M 6
B129	15 Blister	(1 blister = 10 pz)	M 8
B130	15 Blister	(1 blister = 6 pz)	M 10

DIN 1587 SIM. UNI 5721
Dadi esagonali ciechi
con calotta sferica

AISI 304 / A2



CODICE ARTICOLO	BOX	BLISTER	MISURA (mm)
B137	15 Blister	(1 blister = 8 pz)	M 3
B138	15 Blister	(1 blister = 8 pz)	M 4
B139	15 Blister	(1 blister = 6 pz)	M 5
B140	15 Blister	(1 blister = 5 pz)	M 6
B141	15 Blister	(1 blister = 4 pz)	M 8
B142	15 Blister	(1 blister = 2 pz)	M 10

DIN 125 A SIM. UNI 6592 EN ISO 7089

Rondelle piane tipo A senza smusso

AISI 304 / A2



CODICE ARTICOLO	BOX	BLISTER	MISURA (mm)
B234	15 Blister	(1 blister = 50 pz)	M 3
B235	15 Blister	(1 blister = 30 pz)	M 4
B236	15 Blister	(1 blister = 30 pz)	M 5
B237	15 Blister	(1 blister = 20 pz)	M 6
B238	15 Blister	(1 blister = 20 pz)	M 8
B239	15 Blister	(1 blister = 20 pz)	M 10

DIN 6798 AZ SIM. UNI 8842 A

Rondelle a ventaglio esterno

AISI 304 / A2



CODICE ARTICOLO	BOX	BLISTER	MISURA (mm)
B279	15 Blister	(1 blister = 50 pz)	M 3
B280	15 Blister	(1 blister = 40 pz)	M 4
B281	15 Blister	(1 blister = 30 pz)	M 5
B282	15 Blister	(1 blister = 25 pz)	M 6
B283	15 Blister	(1 blister = 20 pz)	M 8

DIN 127 B SIM. UNI 1751 B

Rondelle elastiche aperte (grower) tipo B

AISI 304 / A2



CODICE ARTICOLO	BOX	BLISTER	MISURA (mm)
B119	15 Blister	(1 blister = 50 pz)	M 3
B120	15 Blister	(1 blister = 30 pz)	M 4
B121	15 Blister	(1 blister = 30 pz)	M 5
B122	15 Blister	(1 blister = 20 pz)	M 6
B123	15 Blister	(1 blister = 20 pz)	M 8
B124	15 Blister	(1 blister = 20 pz)	M 10

DIN 9021 SIM. UNI 6593 EN ISO 7093

Rondelle piane con ø est. 3 volte il foro centrale

AISI 304 / A2



CODICE ARTICOLO	BOX	BLISTER	MISURA (mm)
B113	15 Blister	(1 blister = 35 pz)	3,2X9X0,8
B114	15 Blister	(1 blister = 30 pz)	4,3X12X1
B115	15 Blister	(1 blister = 25 pz)	5,3X15X1,2
B116	15 Blister	(1 blister = 20 pz)	6,4X18X1,6
B117	15 Blister	(1 blister = 12 pz)	8,4X24X2
B118	15 Blister	(1 blister = 10 pz)	10,5X30x2,5

ART. 9255

Orli sottovite ricavati dal pieno

AISI 316 / A4



CODICE ARTICOLO	BOX	BLISTER	MISURA (mm)	Ø AUTOFILETTANTI (mm)	Ø TRUCIOLARI (mm)
B143	15 Blister	(1 blister = 20 pz)	M 3	3,5	3-3,5
B144	15 Blister	(1 blister = 15 pz)	M 4	3,9 - 4,2	4
B145	15 Blister	(1 blister = 12 pz)	M 5	4,8	4,5-5
B146	15 Blister	(1 blister = 12 pz)	M 6	6,3	6

UNI EN ISO 1234:2000 EX UNI 1336 - EX DIN 94

Copiglie

AISI 304 / A2



CODICE ARTICOLO	BOX	BLISTER	MISURA (mm)
B101	15 Blister	(1 blister = 50 pz)	1,6X16
B102	15 Blister	(1 blister = 40 pz)	1,6X30
B103	15 Blister	(1 blister = 40 pz)	2X20
B104	15 Blister	(1 blister = 25 pz)	2X40
B105	15 Blister	(1 blister = 20 pz)	2,5X25
B106	15 Blister	(1 blister = 12 pz)	2,5X50
B107	15 Blister	(1 blister = 15 pz)	3X25
B108	15 Blister	(1 blister = 12 pz)	3X50
B109	15 Blister	(1 blister = 12 pz)	4X30
B110	15 Blister	(1 blister = 7 pz)	4X60
B111	15 Blister	(1 blister = 8 pz)	5X40
B112	15 Blister	(1 blister = 6 pz)	5X60

Pitoneria (ganci, occhioli e rampini)

ART. M706

Ganci a vite per legno

AISI 304 / A2



CODICE ARTICOLO	BOX	BLISTER	MISURA (mm)
B92	15 Blister	(1 blister = 5 pz)	3,5X18
B93	15 Blister	(1 blister = 4 pz)	4X20
B94	15 Blister	(1 blister = 3 pz)	4,5X25
B95	15 Blister	(1 blister = 2 pz)	5X30

ART. M705

Occhioli a vite per legno

AISI 304 / A2



CODICE ARTICOLO	BOX	BLISTER	MISURA (mm)
B86	15 Blister	(1 blister = 6 pz)	3X16
B87	15 Blister	(1 blister = 5 pz)	3,5X18
B88	15 Blister	(1 blister = 4 pz)	4X20
B89	15 Blister	(1 blister = 3 pz)	4,5X25
B90	15 Blister	(1 blister = 2 pz)	5X30
B91	15 Blister	(1 blister = 1 pz)	6X40

ART. M8707

Rampini a vite per legno

AISI 304 / A2



CODICE ARTICOLO	BOX	BLISTER	MISURA (mm)
B96	15 Blister	(1 blister = 6 pz)	3X30
B97	15 Blister	(1 blister = 5 pz)	3,5X40
B98	15 Blister	(1 blister = 4 pz)	4X45
B99	15 Blister	(1 blister = 3 pz)	4,5X50
B100	15 Blister	(1 blister = 2 pz)	5X60

ART. 0041

Fascette stringitubo

AISI 304 / A2



CODICE ARTICOLO	BOX	BLISTER	MISURA (mm)
B608	10 Blister	(1 blister = 2 pz)	11-17
B609	10 Blister	(1 blister = 2 pz)	13-20
B610	10 Blister	(1 blister = 1 pz)	15-24
B611	10 Blister	(1 blister = 1 pz)	19-28
B612	10 Blister	(1 blister = 1 pz)	22-32
B613	10 Blister	(1 blister = 1 pz)	26-38
B614	10 Blister	(1 blister = 1 pz)	32-44
B615	10 Blister	(1 blister = 1 pz)	38-50
B616	10 Blister	(1 blister = 1 pz)	44-56
B617	10 Blister	(1 blister = 1 pz)	50-65
B618	10 Blister	(1 blister = 1 pz)	58-75
B619	10 Blister	(1 blister = 1 pz)	68-85

ART. M8234

Cerniere asimmetriche, sp. 4,5 mm, microfusione, lucide

AISI 316 / A4



CODICE ARTICOLO	BOX	BLISTER	MISURA (mm)
B982	10 Blister	(1 blister = 1 pz)	38X57X4,5
B983	10 Blister	(1 blister = 1 pz)	38X76X4,5

ART. M8018

Cerniera a biscotto per tavoli

AISI 304 / A2



CODICE ARTICOLO	BOX	BLISTER	MISURA (mm)
B511	10 Blister	(1 blister = 1 pz)	30X80X2

ART. M8233

Cerniere a libro sp. 4,5 mm, microfusione, lucide

AISI 316 / A4



CODICE ARTICOLO	BOX	BLISTER	MISURA (mm)
B980	10 Blister	(1 blister = 1 pz)	38X38X4,5
B981	10 Blister	(1 blister = 1 pz)	50X50X4,5

ART. M8041

Cerniera mm. 55x40 sp. 1,5

AISI 304 / A2



CODICE ARTICOLO	BOX	BLISTER	MISURA (mm)
B512	10 Blister	(1 blister = 1 pz)	55X40X1,5

ART. M8046 A

Cerniera mm 75x20 sp. 1,5 con ali stondate

AISI 304 / A2



CODICE ARTICOLO	BOX	BLISTER	MISURA (mm)
B515	10 Blister	(1 blister = 1 pz)	75X20X1,5

ART. M8044

Cerniera mm. 70x40 sp. 1,5

AISI 304 / A2



CODICE ARTICOLO	BOX	BLISTER	MISURA (mm)
B513	10 Blister	(1 blister = 1 pz)	70X40X1,5

ART. M8046 B

Cerniera mm 85x30 sp. 1,5 con ali stondate

AISI 304 / A2



CODICE ARTICOLO	BOX	BLISTER	MISURA (mm)
B516	10 Blister	(1 blister = 1 pz)	85X30X1,5

ART. M8045

Cerniera mm. 75x40 sp. 1,5

AISI 304 / A2



CODICE ARTICOLO	BOX	BLISTER	MISURA (mm)
B514	10 Blister	(1 blister = 1 pz)	75X40X1,5

ART. M8046 C

Cerniera mm 100x40 sp. 1,5 con ali stondate

AISI 304 / A2



CODICE ARTICOLO	BOX	BLISTER	MISURA (mm)
B517	10 Blister	(1 blister = 1 pz)	100X40X1,5

ART. M8047 A

Cerniera mm 80X20 sp.1,5
con ali squadrate

AISI 304 / A2

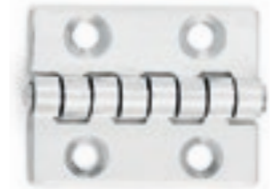


CODICE ARTICOLO	BOX	BLISTER	MISURA (mm)
B518	10 Blister	(1 blister = 1 pz)	80X20X1,5

ART. M8049

Cerniere a libro sp. 1,5 mm

AISI 304 / A2



CODICE ARTICOLO	BOX	BLISTER	MISURA (mm)
B521	10 Blister	(1 blister = 1 pz)	30X40X1,5
B522	10 Blister	(1 blister = 1 pz)	40X40X1,5

ART. M8047 B

Cerniera mm 90X30 sp.1,5
con ali squadrate

AISI 304 / A2



CODICE ARTICOLO	BOX	BLISTER	MISURA (mm)
B519	10 Blister	(1 blister = 1 pz)	90X30X1,5

ART. M8049

Cerniere a libro sp. 1,5 mm

AISI 304 / A2



CODICE ARTICOLO	BOX	BLISTER	MISURA (mm)
B523	10 Blister	(1 blister = 1 pz)	40X60X1,5
B524	10 Blister	(1 blister = 1 pz)	50X60X1,5
B525	10 Blister	(1 blister = 1 pz)	60X60X1,5

ART. M8047 C

Cerniera mm 100X40 sp.1,5
con ali squadrate

AISI 304 / A2



CODICE ARTICOLO	BOX	BLISTER	MISURA (mm)
B520	10 Blister	(1 blister = 1 pz)	100X40X1,5

ART. M8049

Cerniere a libro sp. 1,5 mm

AISI 304 / A2



CODICE ARTICOLO	BOX	BLISTER	MISURA (mm)
B526	10 Blister	(1 blister = 1 pz)	50X80X1,5
B527	10 Blister	(1 blister = 1 pz)	60X80X1,5
B529	10 Blister	(1 blister = 1 pz)	70X80X1,5
B530	10 Blister	(1 blister = 1 pz)	80X80X1,5

ART. M8150

Cerniere a libro
sp. 0,8 mm

AISI 304 / A2



CODICE ARTICOLO	BOX	BLISTER	MISURA (mm)
B595	10 Blister	(1 blister = 1 pz)	25X30X0,8
B596	10 Blister	(1 blister = 1 pz)	30X30X0,8
B597	10 Blister	(1 blister = 1 pz)	35X40X0,8
B598	10 Blister	(1 blister = 1 pz)	40X40X0,8

ART. M8150

Cerniere a libro
sp. 0,8 mm

AISI 304 / A2



CODICE ARTICOLO	BOX	BLISTER	MISURA (mm)
B599	10 Blister	(1 blister = 1 pz)	40X50X0,8
B600	10 Blister	(1 blister = 1 pz)	50X50X0,8
B601	10 Blister	(1 blister = 1 pz)	50X60X0,8
B602	10 Blister	(1 blister = 1 pz)	55X70X0,8

ART. M8247

Redance

AISI 316 / A4



CODICE ARTICOLO	BOX	BLISTER	MISURA (mm)
B530	10 Blister	(1 blister = 10 pz)	3
B531	10 Blister	(1 blister = 10 pz)	4
B532	10 Blister	(1 blister = 6 pz)	5
B533	10 Blister	(1 blister = 4 pz)	6
B534	10 Blister	(1 blister = 2 pz)	8
B535	10 Blister	(1 blister = 2 pz)	10

ART. M8248

Morsetti cavallotto
per cavo

AISI 316 / A4



CODICE ARTICOLO	BOX	BLISTER	MISURA (mm)
B536	10 Blister	(1 blister = 4 pz)	2
B537	10 Blister	(1 blister = 4 pz)	3
B538	10 Blister	(1 blister = 4 pz)	4
B539	10 Blister	(1 blister = 4 pz)	5
B540	10 Blister	(1 blister = 4 pz)	6
B541	10 Blister	(1 blister = 2 pz)	8
B542	10 Blister	(1 blister = 1 pz)	10

ART. M8026

Manicotti in rame
per impiombature

CODICE ARTICOLO	BOX	BLISTER	MISURA (mm)
B543	10 Blister	(1 blister = 12 pz)	2
B544	10 Blister	(1 blister = 10 pz)	2,5
B545	10 Blister	(1 blister = 6 pz)	3
B546	10 Blister	(1 blister = 6 pz)	4
B547	10 Blister	(1 blister = 2 pz)	5
B548	10 Blister	(1 blister = 2 pz)	6

ART. M8128

Cerniere a saldare

AISI 304 / A2



CODICE ARTICOLO	BOX	BLISTER	MISURA (mm)
B987	10 Blister	(1 blister = 1 pz)	60
B988	10 Blister	(1 blister = 1 pz)	80

ART. M8053 P

Chiusura a leva per lucchetto, tipo P

AISI 304 / A2



CODICE ARTICOLO	BOX	BLISTER	MISURA (mm)
B990	10 Blister	(1 blister = 1 pz)	114X28 H.17

ART. M8052 A

Chiusura porta lucchetto tipo A

AISI 304 / A2



CODICE ARTICOLO	BOX	BLISTER	MISURA (mm)
B985	10 Blister	(1 blister = 1 pz)	125X40

ART. M8053 B

Chiusura a leva tipo B

AISI 304 / A2



CODICE ARTICOLO	BOX	BLISTER	MISURA (mm)
B989	10 Blister	(1 blister = 1 pz)	23X40 H.12

ART. M8052

Chiusura porta lucchetto

AISI 304 / A2



CODICE ARTICOLO	BOX	BLISTER	MISURA (mm)
B984	10 Blister	(1 blister = 1 pz)	100X28

ART. M8053 G

Chiusura a leva tipo G

AISI 304 / A2



CODICE ARTICOLO	BOX	BLISTER	MISURA (mm)
B590	10 Blister	(1 blister = 1 pz)	114X28 H.17

ART. M8076

Piastrine ad angolo stampate

AISI 304 / A2



CODICE ARTICOLO	BOX	BLISTER	MISURA (mm)
B997	10 Blister	(1 blister = 2 pz)	31X31
B998	10 Blister	(1 blister = 2 pz)	40X40
B999	10 Blister	(1 blister = 2 pz)	50X50
B1000	10 Blister	(1 blister = 1 pz)	60X60

ART. M8074

Angoli di rinforzo stampati

AISI 304 / A2



CODICE ARTICOLO	BOX	BLISTER	MISURA (mm)
B991	10 Blister	(1 blister = 1 pz)	40X40
B992	10 Blister	(1 blister = 1 pz)	50X50
B993	10 Blister	(1 blister = 1 pz)	60X60
B994	10 Blister	(1 blister = 1 pz)	70X70

ART. M8075

Lastrine di rinforzo 4 fori dritte

AISI 304 / A2



CODICE ARTICOLO	BOX	BLISTER	MISURA (mm)
B995	10 Blister	(1 blister = 2 pz)	61
B996	10 Blister	(1 blister = 2 pz)	79

ART. M8241

Alzapagliolo-anello in microfusione, lucido

AISI 316 / A4



CODICE ARTICOLO	BOX	BLISTER	MISURA (mm)
B588	10 Blister	(1 blister = 1 pz)	38X48X11,5

ART. M8118 A

Alzapagliolo stampato 65 X 55 mm

AISI 304 / A2



CODICE ARTICOLO	BOX	BLISTER	MISURA (mm)
B979	10 Blister	(1 blister = 1 pz)	65X55

ART. M8081 + M8082 A

Chiusura Tavellino per sportelli con chiave in Zama

AISI 304 / A2



CODICE ARTICOLO	BOX	BLISTER	MISURA (mm)
B986	10 Blister	(1 blister = 1 pz)	Base 50x18 Tav.38

ART. M8253

Anelli per catene con apertura a vite

AISI 316 / A4



CODICE ARTICOLO	BOX	BLISTER	MISURA (mm)
B555	10 Blister	(1 blister = 2 pz)	4
B556	10 Blister	(1 blister = 2 pz)	5
B557	10 Blister	(1 blister = 1 pz)	6
B558	10 Blister	(1 blister = 1 pz)	8
B559	10 Blister	(1 blister = 1 pz)	10

ART. M8160

Ganci a "S"

AISI 316 / A4



CODICE ARTICOLO	BOX	BLISTER	MISURA (mm)
B603	10 Blister	(1 blister = 4 pz)	3
B604	10 Blister	(1 blister = 4 pz)	4
B605	10 Blister	(1 blister = 3 pz)	5
B606	10 Blister	(1 blister = 3 pz)	6
B607	10 Blister	(1 blister = 2 pz)	8

ART. M8127

Ponticelli stampati

AISI 304 / A2



CODICE ARTICOLO	BOX	BLISTER	MISURA (mm)
B501	10 Blister	(1 blister = 4 pz)	29X12
B502	10 Blister	(1 blister = 4 pz)	35X16
B503	10 Blister	(1 blister = 2 pz)	45X21

ART. M8229

Anelli saldati lucidi

AISI 316 / A4



CODICE ARTICOLO	BOX	BLISTER	MISURA (mm)
B505	10 Blister	(1 blister = 6 pz)	3X20
B506	10 Blister	(1 blister = 6 pz)	4X25
B507	10 Blister	(1 blister = 3 pz)	5X40
B508	10 Blister	(1 blister = 2 pz)	6X45
B509	10 Blister	(1 blister = 1 pz)	8X50
B510	10 Blister	(1 blister = 1 pz)	10X50

ART. M8246-B

Tenditori tipo B gancio/gancio

AISI 316 / A4



CODICE ARTICOLO	BOX	BLISTER	MISURA (mm)
B12006	10 Blister	(1 blister = 1 pz)	M5
B12007	10 Blister	(1 blister = 1 pz)	M6
B12008	10 Blister	(1 blister = 1 pz)	M8

ART. M8246-A

Tenditori tipo A occhio/occhio

AISI 316 / A4



CODICE ARTICOLO	BOX	BLISTER	MISURA (mm)
B12001	10 Blister	(1 blister = 1 pz)	M5
B12002	10 Blister	(1 blister = 1 pz)	M6
B12003	10 Blister	(1 blister = 1 pz)	M8

ART. M8001

Moschettoni (Connettori)
leva dritta, produzione Italiana
con chiusura senza impigli

AISI 316 / A4



CODICE ARTICOLO	BOX	BLISTER	MISURA (mm)
B549	10 Blister	(1 blister = 1 pz)	50
B550	10 Blister	(1 blister = 1 pz)	60
B551	10 Blister	(1 blister = 1 pz)	70
B552	10 Blister	(1 blister = 1 pz)	80

ART. M8249

Moschettoni (Connettori)
leva dritta con forma
simmetrica classica

AISI 316 / A4



CODICE ARTICOLO	BOX	BLISTER	MISURA (mm)
B591	10 Blister	(1 blister = 1 pz)	50
B592	10 Blister	(1 blister = 1 pz)	60
B593	10 Blister	(1 blister = 1 pz)	70
B594	10 Blister	(1 blister = 1 pz)	80

ART. M8252

Moschettone girevoli
per spinnaker o drizza,
a sgancio rapido

AISI 316 / A4



CODICE ARTICOLO	BOX	BLISTER	MISURA (mm)
B589	10 Blister	(1 blister = 1 pz)	70

ART. M8257

Moschettone con anello girevole

AISI 316 / A4



CODICE ARTICOLO	BOX	BLISTER	MISURA (mm)
B562	10 Blister	(1 blister = 1 pz)	85

ART. M8251

Moschettoni apertura a molla

AISI 316 / A4



CODICE ARTICOLO	BOX	BLISTER	MISURA (mm)
B560	10 Blister	(1 blister = 1 pz)	50
B561	10 Blister	(1 blister = 1 pz)	70

ART. M8254

Girelle occhio/occhio

AISI 316 / A4



CODICE ARTICOLO	BOX	BLISTER	MISURA (mm)
B585	10 Blister	(1 blister = 1 pz)	5
B586	10 Blister	(1 blister = 1 pz)	6
B587	10 Blister	(1 blister = 1 pz)	8

ART. M8258
Grilli dritti

AISI 316 / A4



CODICE ARTICOLO	BOX	BLISTER	MISURA (mm)
B569	10 Blister	(1 blister = 2 pz)	4
B570	10 Blister	(1 blister = 2 pz)	5
B571	10 Blister	(1 blister = 2 pz)	6
B572	10 Blister	(1 blister = 2 pz)	7
B573	10 Blister	(1 blister = 2 pz)	8
B574	10 Blister	(1 blister = 1 pz)	10

ART. M8293
Grilli stampati

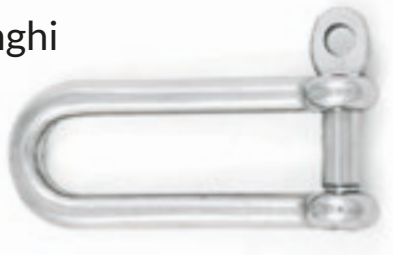
AISI 304 / A2



CODICE ARTICOLO	BOX	BLISTER	MISURA (mm)
B563	10 Blister	(1 blister = 4 pz)	4
B564	10 Blister	(1 blister = 4 pz)	5
B565	10 Blister	(1 blister = 2 pz)	6

ART. M8259
Grilli dritti lunghi

AISI 316 / A4



CODICE ARTICOLO	BOX	BLISTER	MISURA (mm)
B575	10 Blister	(1 blister = 2 pz)	5
B576	10 Blister	(1 blister = 1 pz)	6
B577	10 Blister	(1 blister = 1 pz)	8

ART. M8267
Golfare con perno

AISI 316 / A4



CODICE ARTICOLO	BOX	BLISTER	MISURA (mm)
B504	10 Blister	(1 blister = 1 pz)	6X60

ART. M8260
Grilli a cetra

AISI 316 / A4



CODICE ARTICOLO	BOX	BLISTER	MISURA (mm)
B578	10 Blister	(1 blister = 2 pz)	4
B579	10 Blister	(1 blister = 2 pz)	5
B580	10 Blister	(1 blister = 1 pz)	6
B581	10 Blister	(1 blister = 1 pz)	8
B582	10 Blister	(1 blister = 1 pz)	10

ART. 9582
Dadi a Golfare simile DIN 582

AISI 316 / A4



CODICE ARTICOLO	BOX	BLISTER	MISURA (mm)
B976	10 Blister	(1 blister = 1 pz)	6
B977	10 Blister	(1 blister = 1 pz)	8

Dati Tecnici

Nel Catalogo sono presenti articoli che non hanno espliciti riferimenti a normative. (es. EN-ISO-DIN, ecc.)

I dati tecnici di questi articoli sono puramente indicativi.

Possono subire variazioni minime da lotto a lotto a seconda della produzione e sono aggiornati al momento della stampa del Catalogo.

Confezionamento

Le quantità delle confezioni di tutti gli articoli presenti a catalogo possono subire variazioni a discrezione del fornitore. Eventuali aggiornamenti saranno pubblicati sul sito www.spinelli-inox.it

SEDE COMMERCIALE:

Via Monte Pastello, 8
37057 San Giovanni Lupatoto (VR)
Tel. 045.8270111
Fax. 045.8270190
info@spinelli-inox.it

SEDE LEGALE:

Via Enzenberg, 12
39018 Terlano (BZ)



WWW.SPINELLI-INOX.IT

