

ART. 9431

Tassello scorrevole M 8, corpo Alluminio e sfera aisi 304 / A2

Sliding block M 8, Aluminum body and aisi 304 / A2 sphere

Codice Articolo *Item Number*



Box



Master carton



Pallet

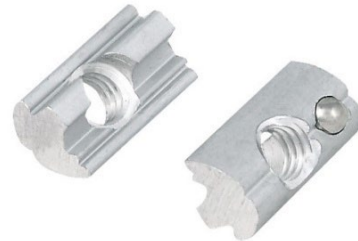
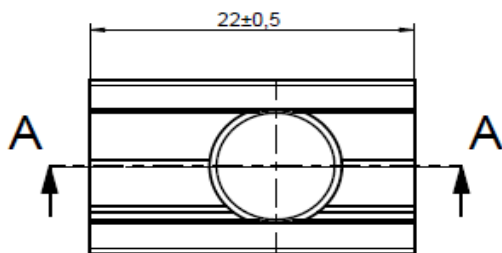
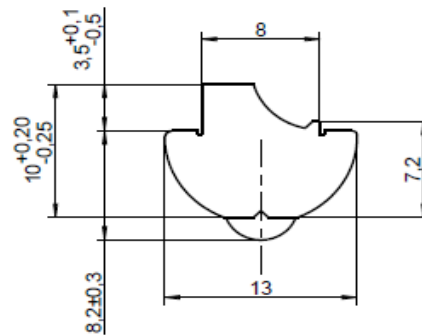
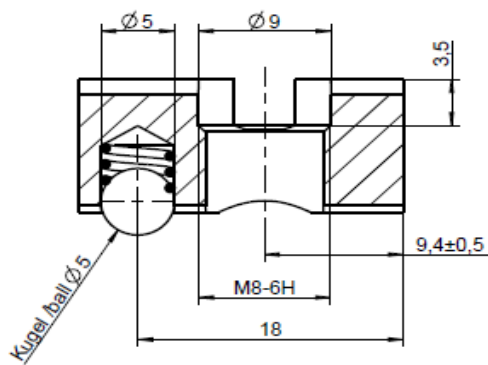
9431-120901-100

100

2500

75000

A-A
2:1



Materiale / material:

Tassello scorrevole / Slot nut: EN AW 6061 / AS 6061 o equivalente / or equal

Sfera / ball: 1.4301 / EN 100088-1 / AISI 304 o equivalente / or equal

Molla / spring: 1.4310 / EN 10088-1 / AISI 301 o equivalente / or equal